

Thank you for purchasing a roof vent. Please check you have all the components shown in this guide. This installation guide gives an order of working. **IT IS STRONGLY RECOMMENDED THAT YOU FOLLOW THIS GUIDE AS A ALTERNATIVE METHODS MAY CAUSE DELAY OR DIFFICULTY.**

### IMPORTANT BEFORE YOU START

Check that you have the correct pack for the thickness of glazing material you are using and that it contains the following items.

- 1 Pre-welded and hinged PVC-U frame**
- 4 Lid Glazing Beads**
- 4 Frame glazing beads**
- 1 Length of aluminium sealing tape**
- 1 Brass telescopic opener**

The roof vent can be fitted anywhere in the roof provided the conditions in tables 1 & 2 are met. The closer the vent is to the ridge or wall plate the better.

The roof pitch can be between 2.5° and 32.5°

**TABLE 1**

Roof vent size	550 x 750mm
Minimum width between glazing bars	700mm

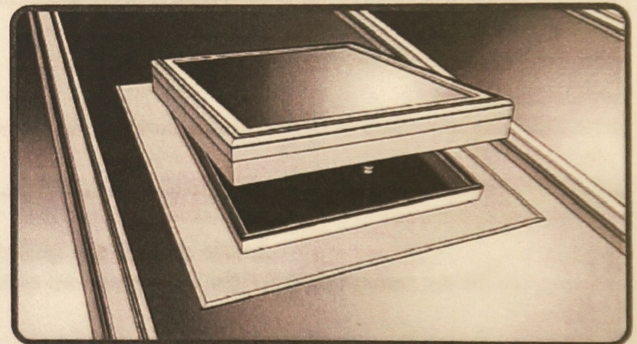
**TABLE 2**

Glazing Thickness	16mm	25mm	32mm
Maximum glazing bar centres	800mm	850mm	900mm

These are our recommended dimensions.

### ASSEMBLY & FITTING

These instructions show you how to glaze and fit the roof vent to a roofing sheet prior to installation. The roof vent maybe fitted to a previously installed roof in a similar manner taking extra care to clean as the polycarbonate maybe heavily soiled from exposure (see instruction\*)



### 1. CUT THE GLAZING MATERIAL

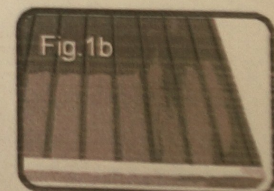
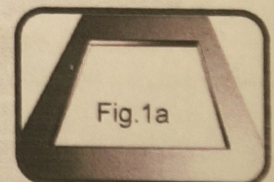
Using Table 3 mark out the aperture to be cut into the roof making sure it is as near to the ridge or wallplate as possible. Make sure the aperture is square by measuring diagonally across the corners, then mark out with a felt pen or similar. Drill a hole in each corner ensuring the drill finishes inside the lines to allow access for a jigsaw. Using a jigsaw cut from hole to hole (**do not cut diagonally across**). This material will be used to glaze the lid. Take the glazing material you have removed and trim to correct size for the lid (see table 3).

Clean out all swarf from inside the polycarbonate with an air line and seal the top and bottom edges on both the aperture and lid glazing material with the aluminium tape provided, making sure the tape on the top surface overlaps by no more than 5 mm (Fig.1a & 1b). This is to ensure the glazing material adheres to the sealing tape. The protective film on new material should not be removed, but it should be folded back where it will fit into the frame.

\* The exposed area of glazing material must be cleaned with a weak solution of washing up liquid, rinsed and dried thoroughly- even the grease from your hand can reduce adhesion of the sealing tape.

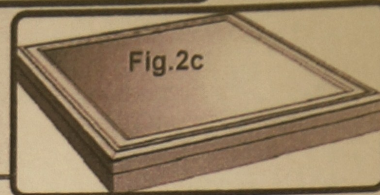
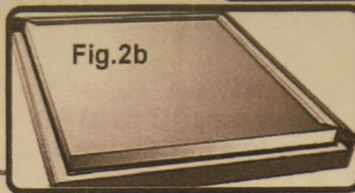
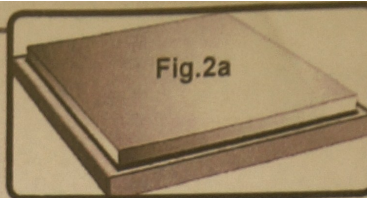
**TABLE 3**

Roof vent size	550 x 750mm
Roofing sheet aperture	510 x 710mm
Vent lid glazing size	372 x 574mm



## 2. GLAZE VENT LID

Remove the vent lid by opening it fully and unhooking the hinges from the frame. Lay the lid frame on a clean firm surface, gasket side up. Position the glazing material square onto the black gasket (fig.2a). Push fit the glazing beads until they click into position (fig.2b). Continue round the vent (fig.2c). If a small gap appears between the mitres on the beads (this is normal) a thin application of silicone will cover.



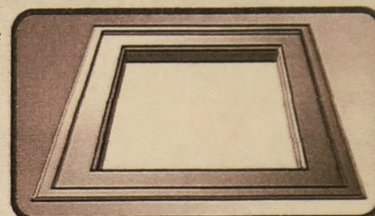
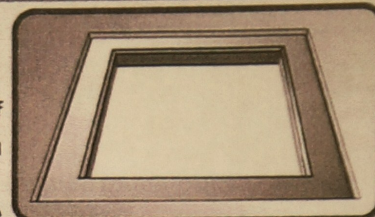
## 3. FIT FRAME INTO ROOFING SHEET

Fold back the protective film on the roofing sheet.

The exposed area of the glazing material must be cleaned with a weak solution of washing up liquid, rinsed and dried thoroughly - even the grease from your hand can reduce adhesion to the sealing tape.

Lay the vent assembly on a clean firm surface, with the top side facing down. Peel the backing paper off the sealing tape, lower into the roofing sheet so that the frame fits squarely into the aperture, with the hinges towards the top edge and the underside of the roofing sheet uppermost. Apply pressure to ensure a good seal.

Keeping the frame in position, press firmly on the frame glazing beads until they click into place. Apply silicone to any small gaps at the mitres.



## 4. VENT ASSEMBLY

Re-fit the vent lid, taking care to hook the hinges back together. Complete the fitting of the brass opener (follow the enclosed instructions).

## 5. INSTALLING THE ROOFING SHEET

Follow the instructions supplied with the roofing system for installing the roofing sheet.

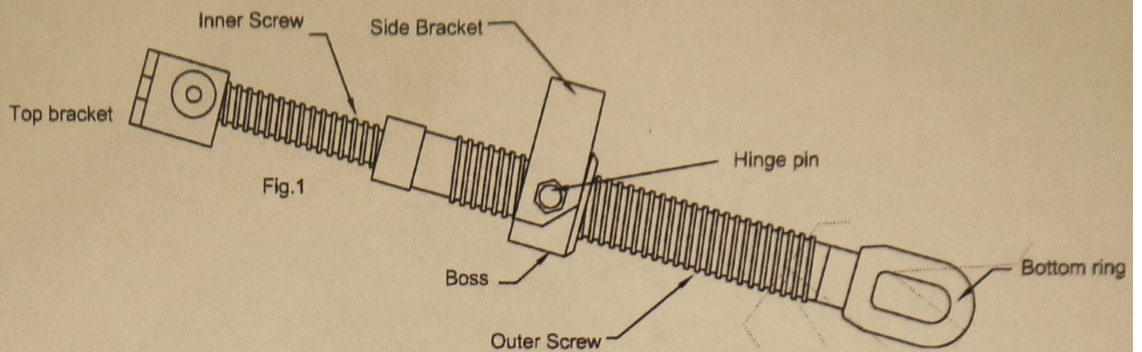
Remove the protective film from the roofing sheet and clean down as necessary with a gentle, non abrasive Cleaner.

## POINTS TO REMEMBER

1. Thoroughly clean and dry Polycarbonate & PVCu ready for sealing tape.
2. Follow widths and pitch recommendations
3. DO NOT enlarge drainage holes
4. DO NOT over tighten fittings and only use Those approved by Newdawn
5. Brass Telescopic Openers should be fitted according to the instructions.
6. Follow all the instructions carefully.

## TO SUMMARISE

- Check components
- Cut glazing
- Glaze lid
- Fit frame
- Complete fitting brass opener



1. Any adjustments should be made using the inner screw, with the outer screw in the fully closed position.
2. The brackets should be assembled to the boss and inner screw, as shown in Fig. 2 using the hinge pins provided.

### PVCu Roof Vent

1. Fix the boss with the hinge pin supplied to the base frame (Fig.2)
2. Ensure the boss and the inner and outer spindles are in the fully closed position.
3. Insert the spring pin to join the inner screw to the top frame. If it appears too tight, adjust by turning the boss. (Fig.3)
4. Care must be taken not to over tighten the roof vent. Over tightening will result in undue stress being applied to the lid which may eventually break down the seals.

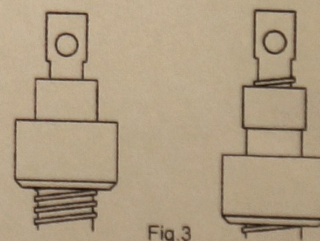
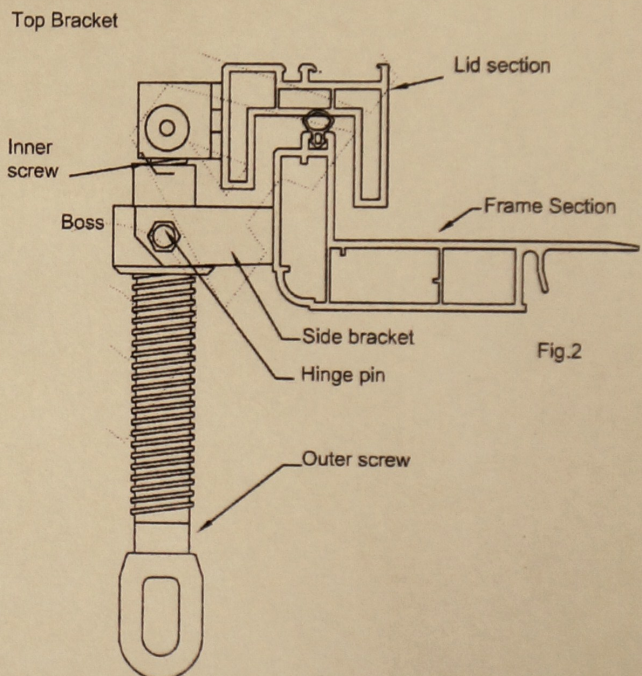


Fig.3

### No Need to Clean

All brass components are protected against tarnishing by a special clear lacquer.